

Summer Time 34

Sheet 1

Drawing 3D

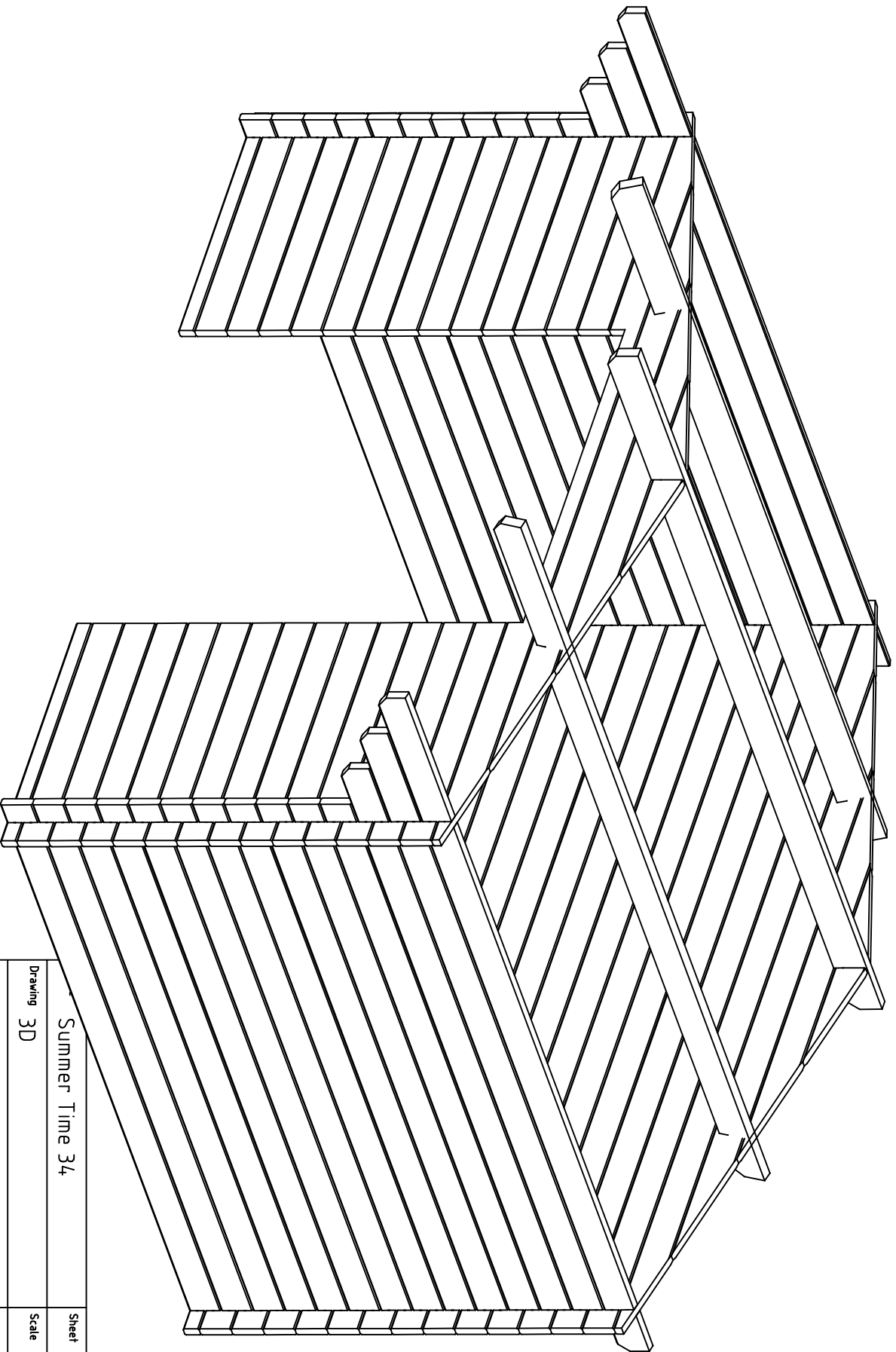
Scale

Material 34x135

Date 30.08.2019

Drawer RP

File Summer Time 34_3D.dwg

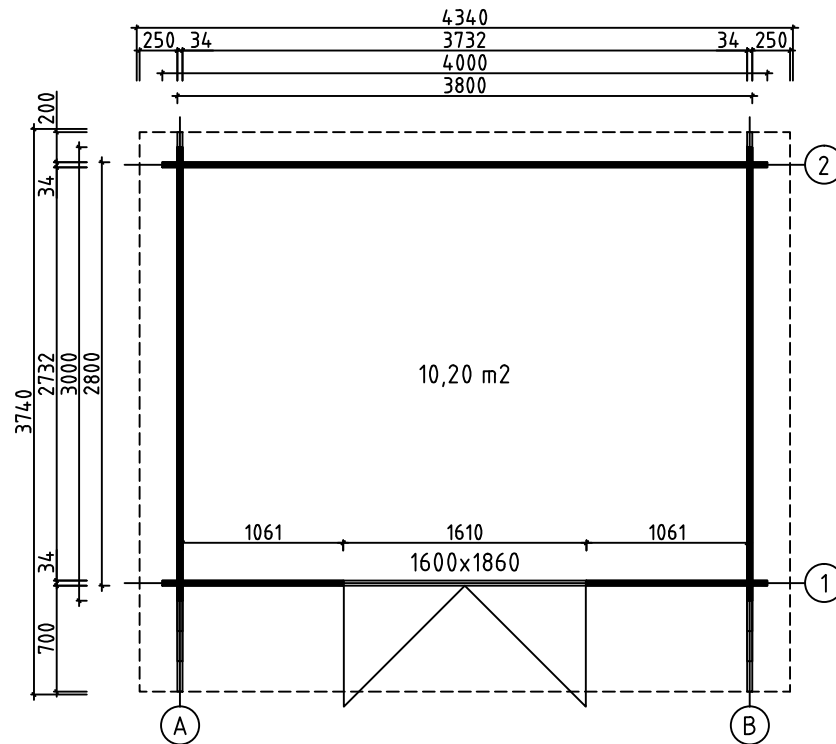


Summer Time 34	Sheet 2
----------------	---------

Drawing 3D	Scale
------------	-------

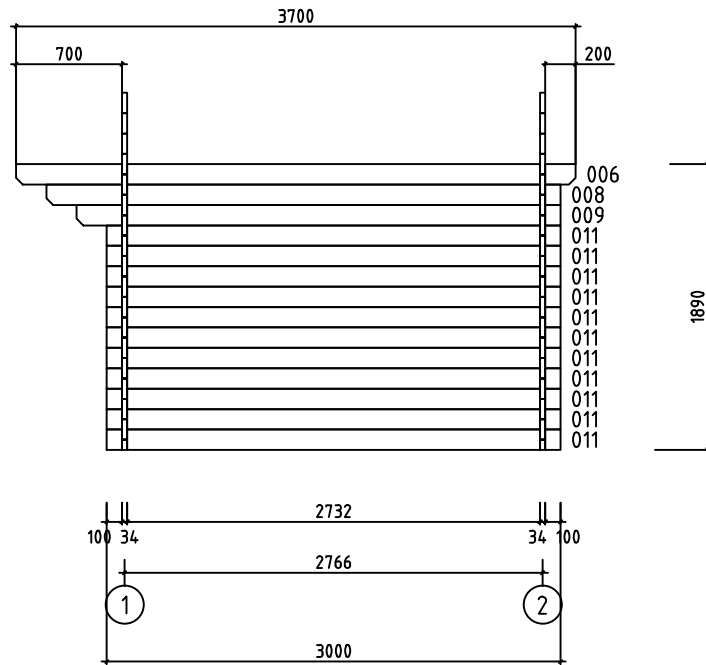
Material 34x135	Date 30.08.2019
-----------------	-----------------

Drawer RP	File Summer Time 34_3D.dwg
-----------	----------------------------



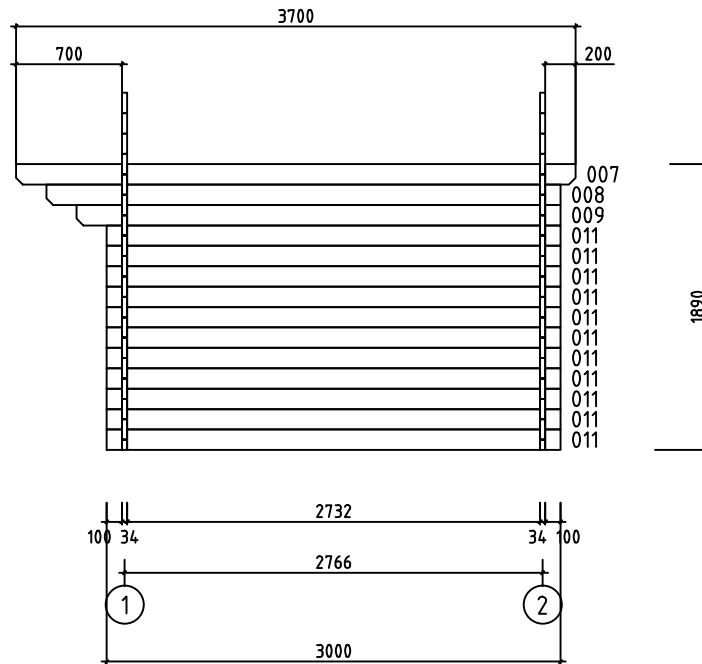
House	Summer Time 34	Sheet	3
Drawing	GRUNDPLAN-GRUNDPLAN-PLAN	Scale	1:50
Material	34x135	Date	30.08.2019
Drawer	RP	File	Summer Time 34.dwg

Wall-Wand-Muur A ↗

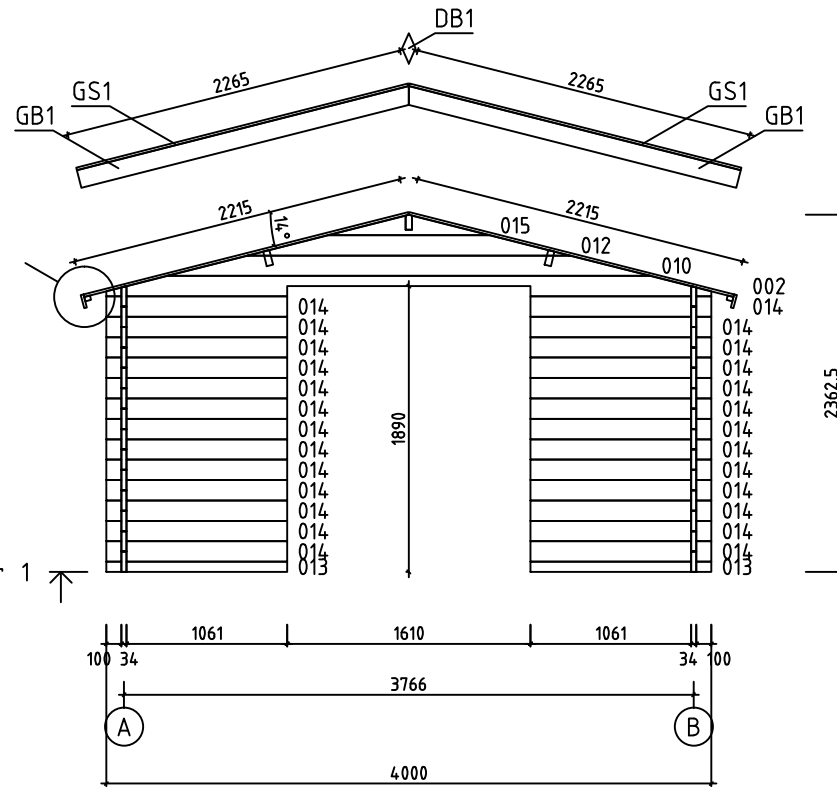
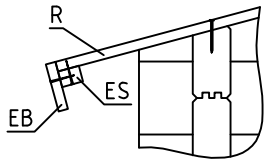


House	Summer Time 34	Sheet	4
Drawing	WALL-WAND-MUUR A	Scale	1:50
Material	34x135	Date	30.08.2019
Drawer	RP	File	Summer Time 34.dwg

Wall-Wand-Muur B ↗

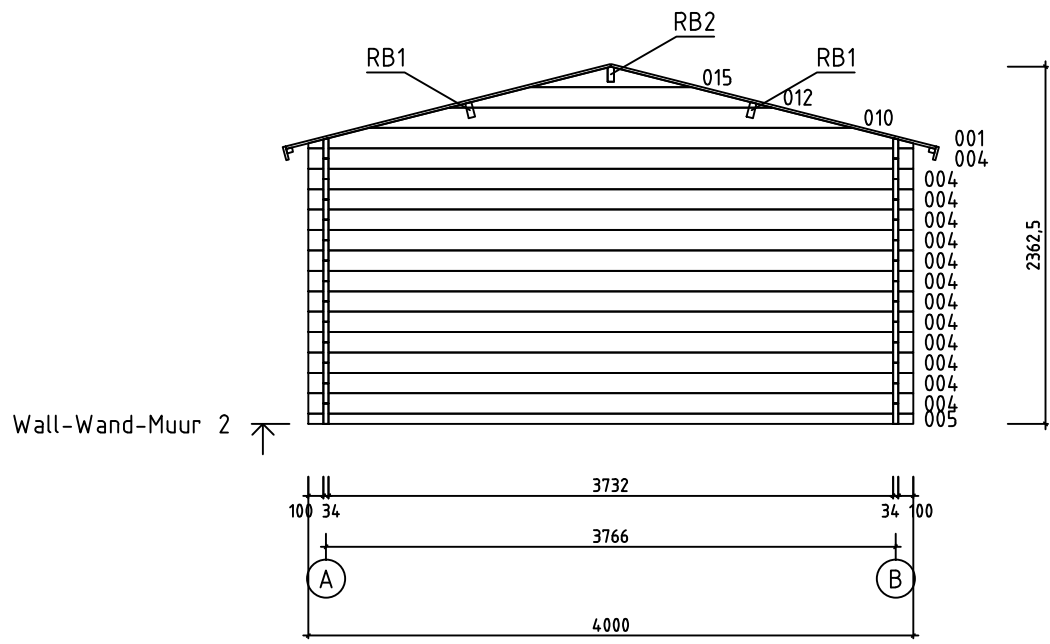


House	Summer Time 34	Sheet	5
Drawing	WALL-WAND-MUUR B	Scale	1:50
Material	34x135	Date	30.08.2019
Drawer	RP	File	Summer Time 34.dwg

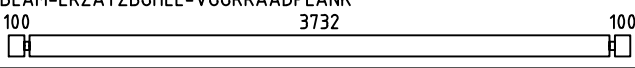
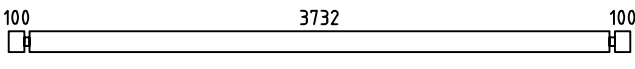
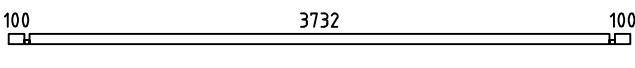
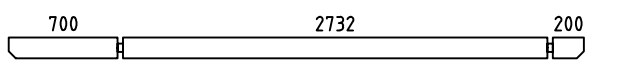
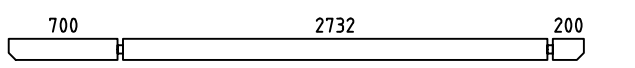
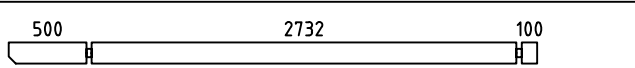
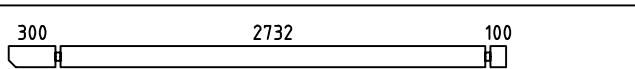
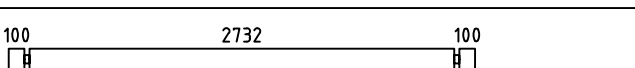
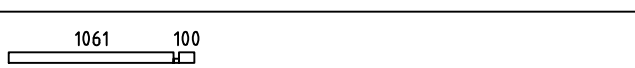
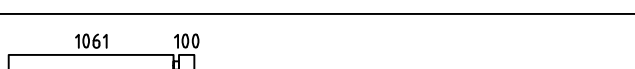
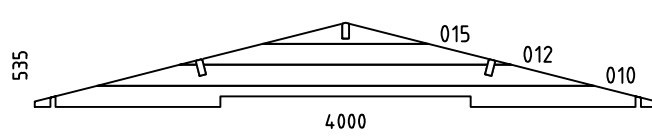
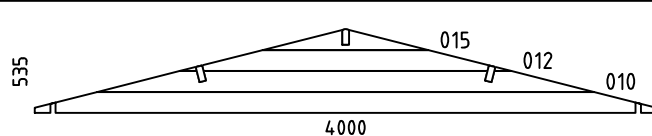
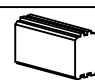
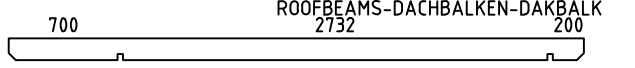
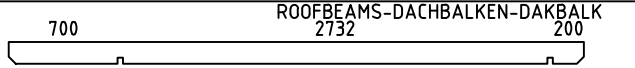

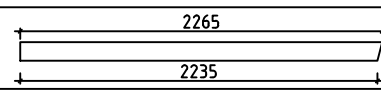






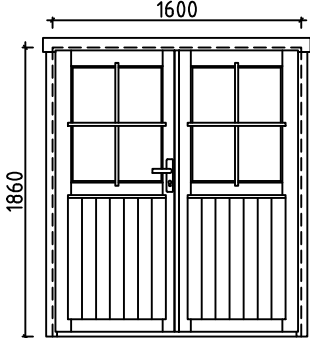
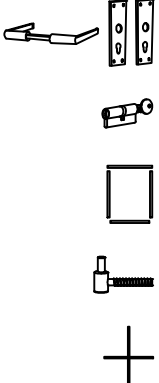
Wall-Wand-Muur 1 ↑

House	Summer Time 34	Sheet	6
Drawing	WALL-WAND-MUUR 1	Scale	1:50
Material	34x135	Date	30.08.2019
Drawer	RP	File	Summer Time 34.dwg



House	Summer Time 34	Sheet	7
Drawing	WALL-WAND-MUUR 2	Scale	1:50
Material	34x135	Date	30.08.2019
Drawer	RP	File	Summer Time 34.dwg

Pos	Specification-Bestimmung-Omschrijving	Pcs	Profile (mm)	L (mm)		
003	SPARE BEAM-ERZATZBOHLE-VOORRAADPLANK 	1	34x135	4000		
004		13	34x135	4000		
005		1	34x68	4000		
006		1	34x135	3700		
007		1	34x135	3700		
008		2	34x135	3400		
009		2	34x135	3200		
011		22	34x135	3000		
013		2	34x68	1195		
014		26	34x135	1195		
W1-1	 002	1	34x535	4000		
W2-1	 001	1	34x535	4000		
HB	HIT BLOCK-SCHLAGHÖLZER-BLAZENPLANK 	2	34x135	300		
RB1	ROOFBEAMS-DACHBALKEN-DAKBALK 	2	43x140	3700		
RB2	ROOFBEAMS-DACHBALKEN-DAKBALK 	1	43x140	3700		
R1	ROOFBOARD-DACHBRETT-DAKPLANK  or-oder-of	66+2 86+2	18x114 18x88	2215		
GB1	GABLE BOARD-GIEBELBLENDE-GEVELPLANK 	4	18x120	2265		
GS1	ROOF FELT FILLET-GIEBELLEISTE-GEVELLIJST 	4	18x70	2265		
EB1	EAVE BOARD-TRAUFBRETT-AFDEKPLANK 	4	18x90	1850		
ES1	EAVE SLAT-TRAUFENLEISTE-AFDEKLIJST 	4	30x40	1850		
DB1	DIAMOND-RAUTE-DIAMANT 	2	18x90	200		
House	Summer Time 34	Material	File	Summer Time 34.dwg	Sheet	8

Pos	Specification-Bestimmung-Omschrijving	Pcs	Profile (mm)	L (mm)
	<p data-bbox="263 145 1109 179">DOUBLEDOR-DOPPELTÜR-DUBBELE DEUR (left-links-links) AST_PL</p> 	<p data-bbox="1236 145 1260 179">V</p> 	<p data-bbox="1292 145 1316 179">1</p> <p data-bbox="1292 224 1316 257">1</p> <p data-bbox="1292 302 1316 336">1</p> <p data-bbox="1292 380 1316 414">1</p> <p data-bbox="1292 459 1316 492">6</p> <p data-bbox="1292 537 1316 571">2</p>	<p data-bbox="1364 145 1428 179">1600</p> <p data-bbox="1476 145 1540 179">1860</p>
House Summer Time 34	Material	File Summer Time 34.dwg	Sheet 9	

#001	2	4000	1
#002	1	4000	1
#003		4000	1
#004	2	4000	13
#005	2	4000	1
#006	A	3700	1
#007	B	3700	1
#008	A,B	3400	2
#009	A,B	3200	2
#010	1,2	3199	2
#011	A,B	3000	22
#012	1,2	2133	2
#013	1	1195	2
#014	1	1195	26
#015	1,2	1066	2